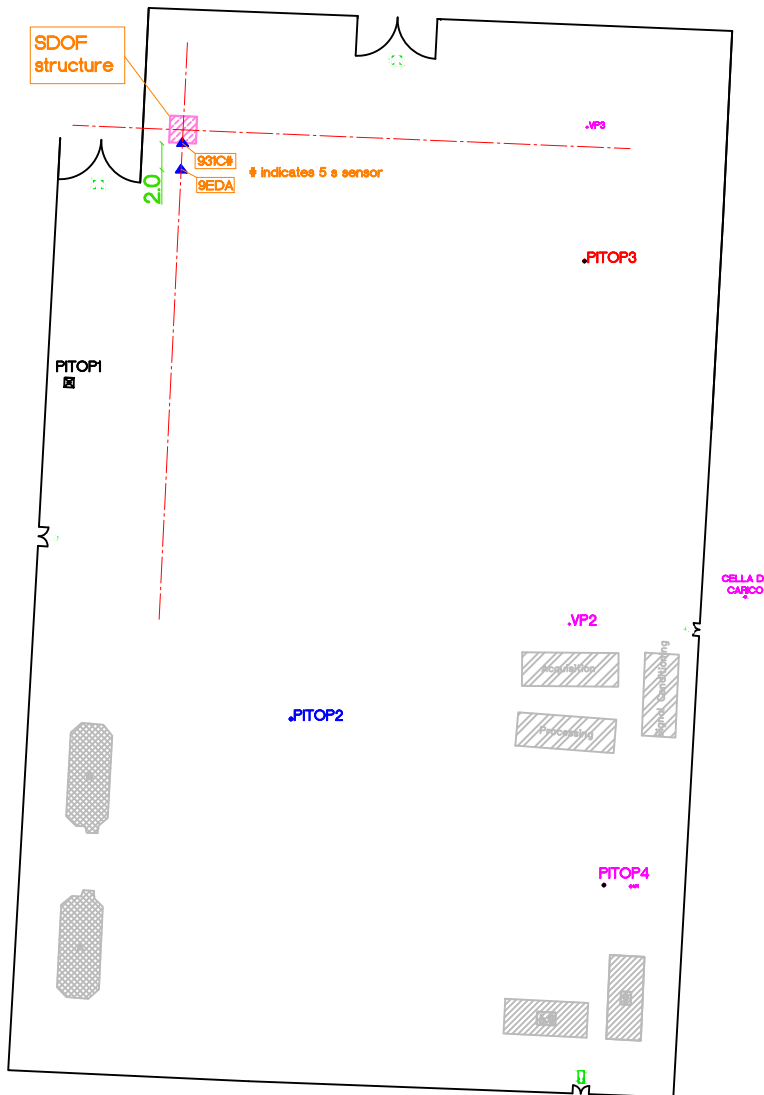
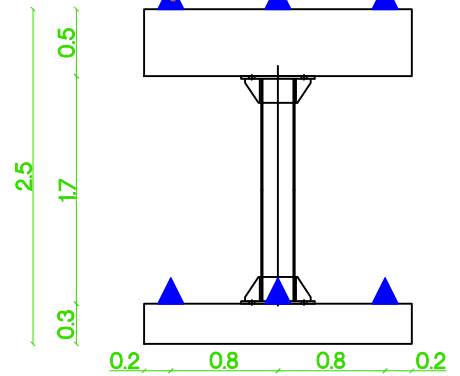


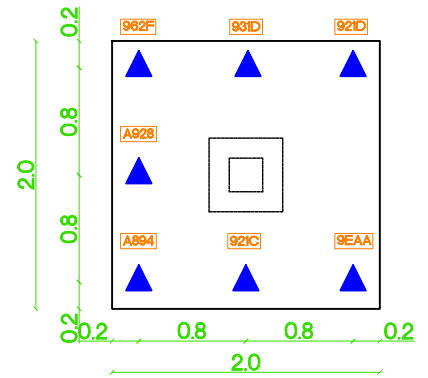
2nd setup - only structure



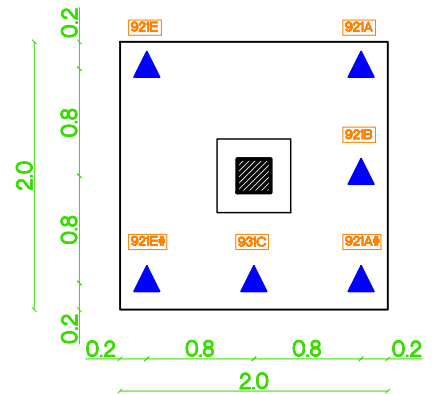
side view



top slab



bottom slab



indicates 5 s sensor

