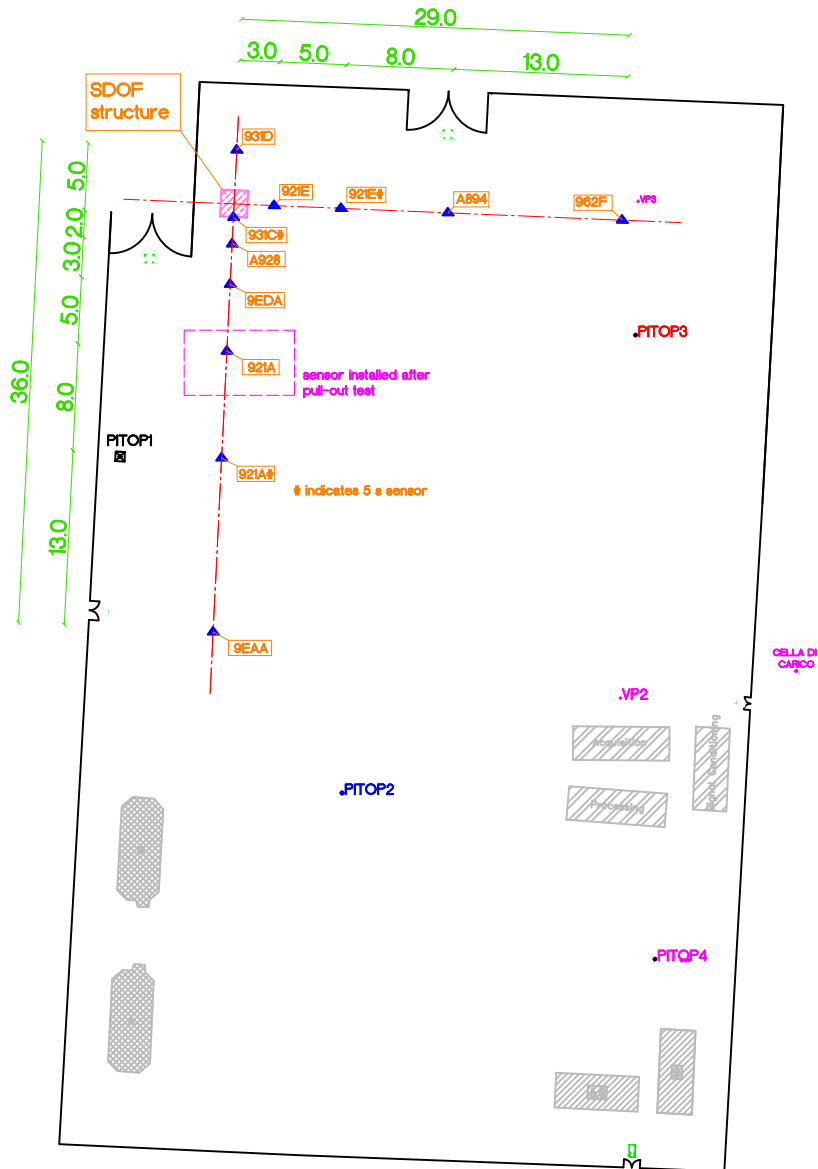
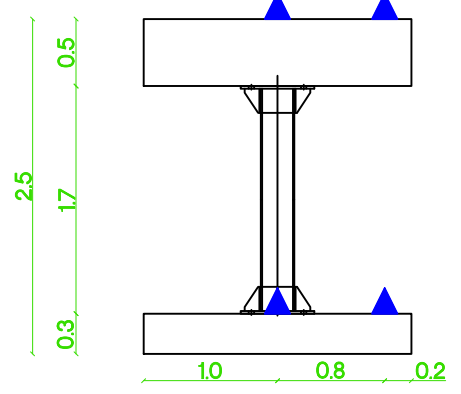


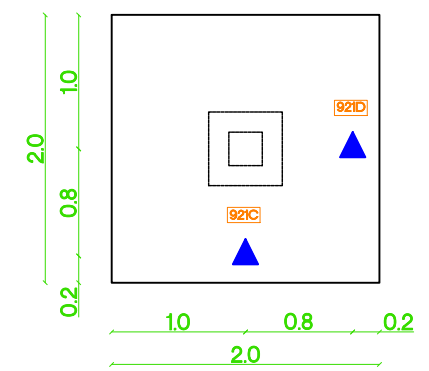
3rd setup - structure + soil



side view



top slab



bottom slab

